

Specification Information Sheet

RTD100L

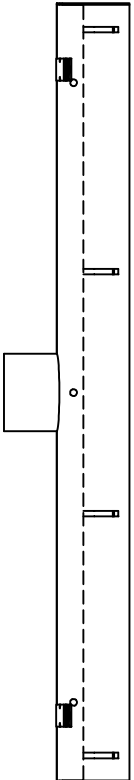
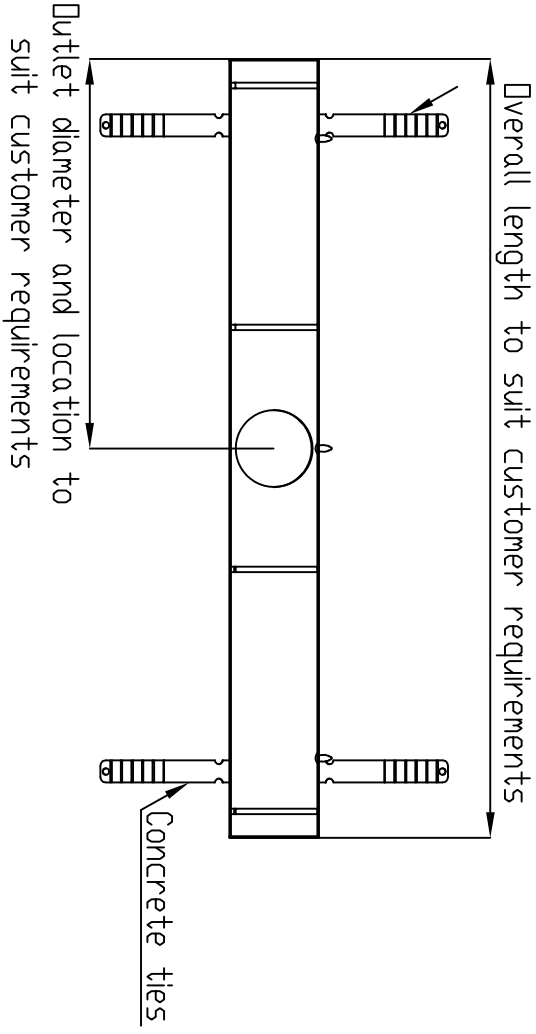
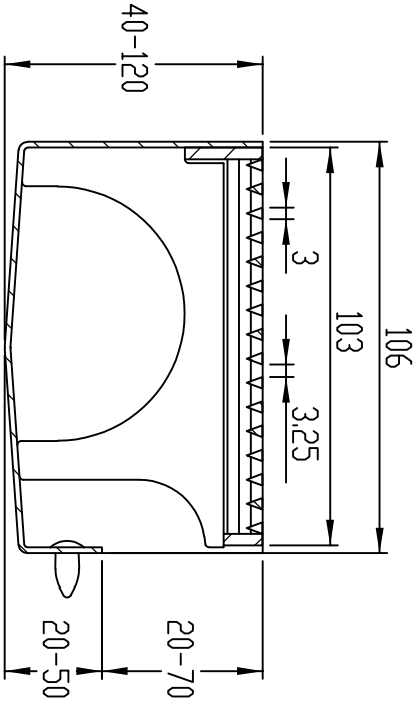
RainTrak 100mm wide, variable depth channel with Linéaire grate

Specification clause

The floor channel and grates are to be type RTD100L (100mm wide, variable depth channel with Linéaire grates) grade 304/316 stainless steel, as supplied by ACD Pty Ltd.

The channels overall depth, length, outlet position/s and outlet diameter/s are specified on drawing number/s -----.

All components used within the scope of the systems are shown on drawing number/s -----. All work should be carried out strictly in accordance with the manufacturers instructions and the installation details set out on drawing number/s -----.



www.acobuildline.com.au
 Ph: 1300 765 266 (Australia)
 Ph: +61 2 4747 4000 (International)

*All dimensions in mm