

Specification Information Sheet

S103-40-5S

103mm wide, 40mm deep channel with 5 Star grate (nominal)

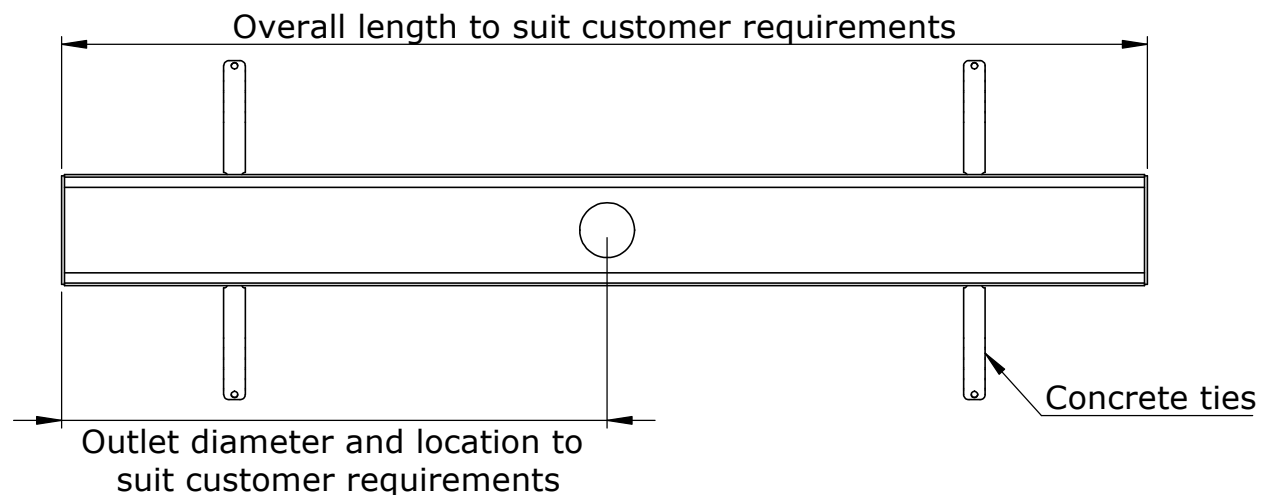
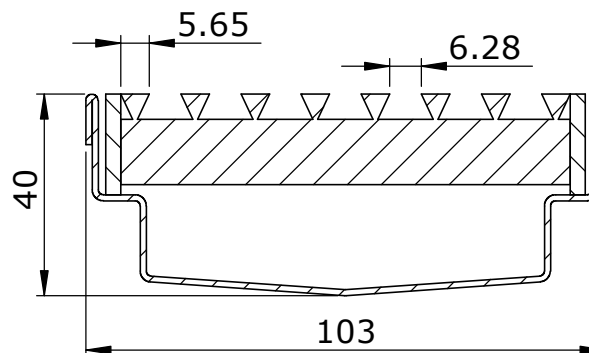
Specification clause

The floor channel and grates are to be type S-103-40-5S (103mm wide, 40mm deep channel with 5 Star grates) grade 304/316 stainless steel, as supplied by ACO Pty Ltd.

Grates meet slip rating P4 (wet pendulum test) and C (wet barefoot test).

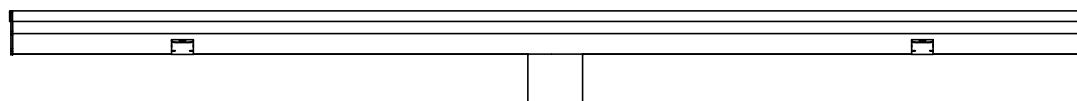
The channels overall length, outlet position and outlet diameters are specified on drawing number/s _____.

All components used within the scope of the systems are shown on drawing number/s _____. All work should be carried out strictly in accordance with the manufacturer's instructions and the installation details set out on drawing number/s _____.



www.acobuildline.com.au
www.acoshowerdrain.com.au

Ph: 1300 765 266 (Australia)
 Ph: +61 2 4747 4000 (International)



*All dimensions in mm