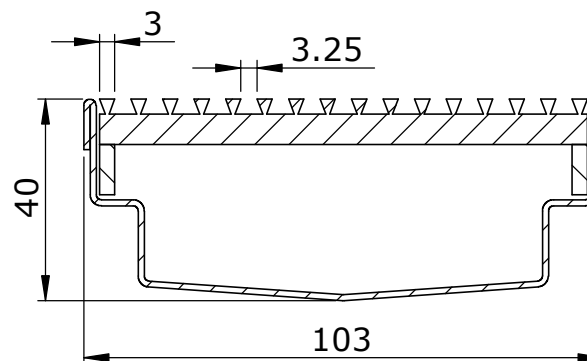


Specification Information Sheet

S103-40-L

103mm wide, 40mm deep channel with Linéaire grate (nominal)



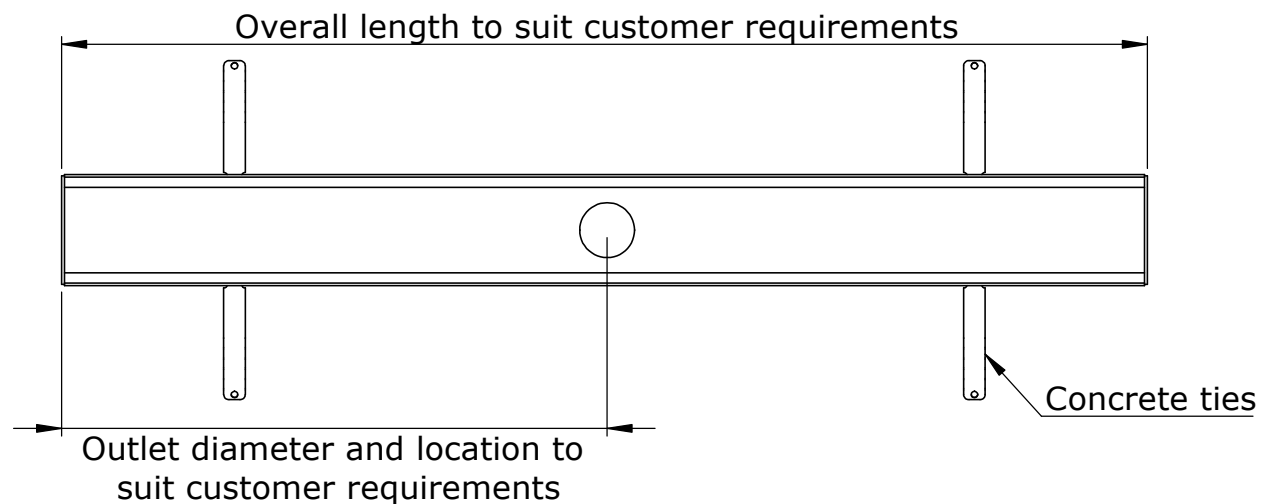
Specification clause

The floor channel and grates are to be type S-103-40-L (103mm wide, 40mm deep channel with Linéaire grates) grade 304/316 stainless steel, as supplied by ACO Pty Ltd.

Grates meet slip rating P1 (wet pendulum test).

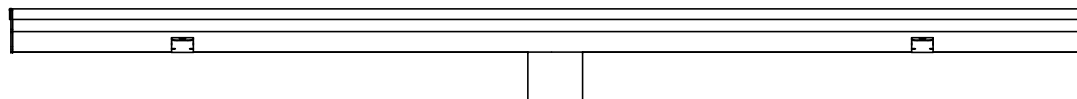
The channels overall length, outlet position and outlet diameters are specified on drawing number/s _____.

All components used within the scope of the systems are shown on drawing number/s _____. All work should be carried out strictly in accordance with the manufacturer's instructions and the installation details set out on drawing number/s ____.



www.acobuildline.com.au
www.acoshowerdrain.com.au

Ph: 1300 765 266 (Australia)
 Ph: +61 2 4747 4000 (International)



*All dimensions in mm