

## Specification Information Sheet

### S103-40-T

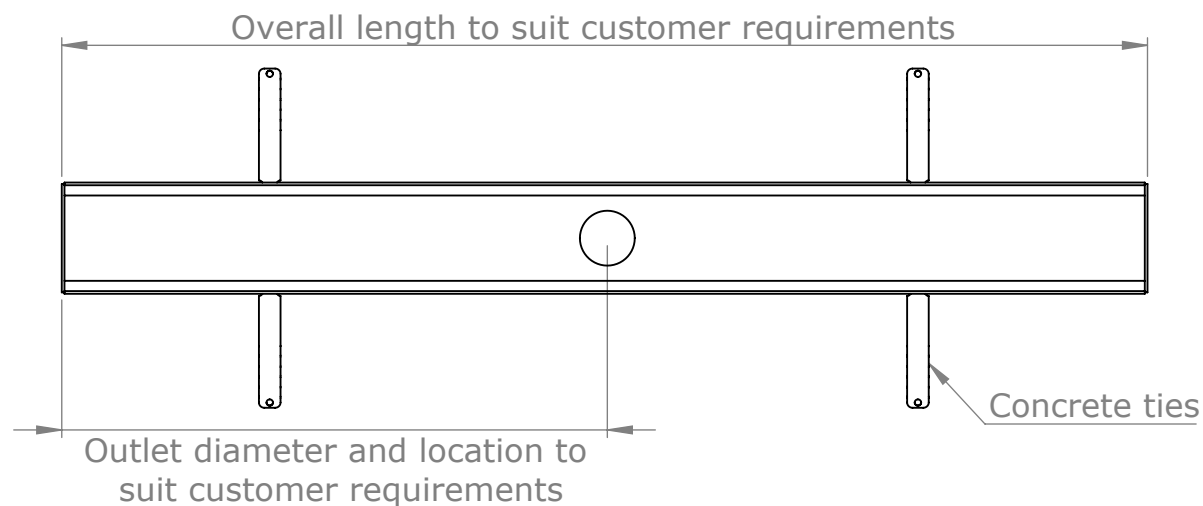
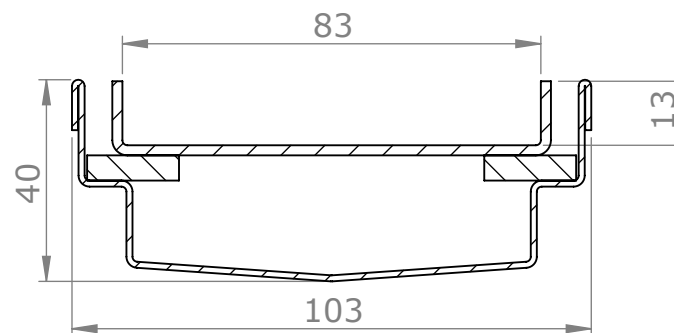
103mm wide, 40mm deep channel with Tile grate (nominal)

#### Specification clause

The floor channel and grates are to be type S-103-40-T (103mm wide, 40mm deep channel with Tile grates) grade 304/316 stainless steel, as supplied by ACO Pty Ltd.

The channels overall length, outlet position and outlet diameters are specified on drawing number/s \_\_\_\_\_.

All components used within the scope of the systems are shown on drawing number/s \_\_\_\_\_. All work should be carried out strictly in accordance with the manufacturer's instructions and the installation details set out on drawing number/s \_\_\_\_\_.



[www.acobuildline.com.au](http://www.acobuildline.com.au)  
[www.quartzbyaco.com.au](http://www.quartzbyaco.com.au)

Ph: 1300 765 266 (Australia)  
 Ph: +61 2 4747 4000 (International)

\*All dimensions in mm